

■ TJB-12/15-BS

■ Isolation Transformer Base (12/15)



Compliance with Standards

- ISO Standard
- ICAO: Annex 14, Volumn 4
- ICAO: Aerodrome Design Manual
- FAA: AC150/5345-42F
- European Standard EN124: Gully Cover and Manhole Cover
- GB/T7256-2005
- GB3977-83
- GB7001-86
- GB7003-84
- GB2423.17-81
- GB3979-83

Application/Use

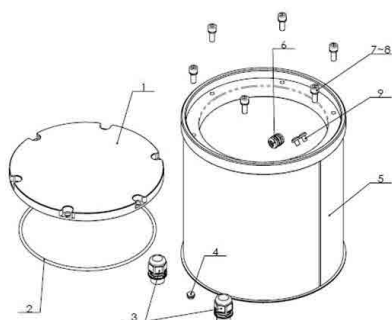
The Installation of Isolation Transformer

Features

- Non - casting aluminium alloy with excellent performance in corrosion resistance
- Standard cable water joint with reliable sealing property, easy to maintian
- High quality sealing material on box and cover, the same sealing property with in - pavement lamps
- Connection to different cabel protection pipes
- Thermonatrite resistant material, long service life
- No relevance between cable sealing and cable protection pipe lower construction difficulty

Construction

The product is comprised of cover plate and box.



1. Cover Plate 2. "O" Seal Ring 3. Metal Cable Gland
4. Screw-plug Metal Head 5. Box 6. Metal Cable Gland

Ordering Information

TJB -XX-X/X

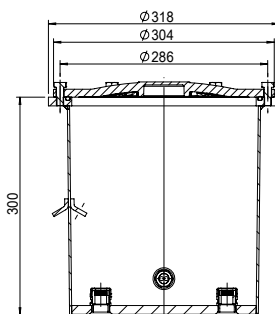
TJB = Isolation Transformer Box

Size
12 = 12' 15 = 15'

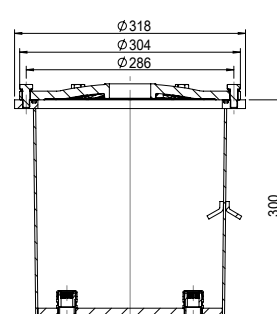
Thread hole position
X/X: Primary /Secondary Cable Outlet
B: Bottom
S: Side

* Detail information should be provided if any special requirements.

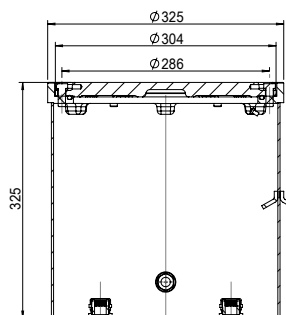
Installation



L-867 12 Inch Non-Load Bearing Base Type I Without G2 Tapping Hole



L-867 12 Inch Non-Load Bearing Base Type II With G2 Tapping Hole



L-868 12 Inch Load Bearing Base

■ TJB-12/15-BS

■ Isolation Transformer Base (12/15)

Environment

- Lower than an altitude of 4000 meters
- Outside: -40 °C -+65;
- Relative Air Humidity: 95%; The maximum humidity can be over 100% when the temperature is over 24.5 °C ;
- Rain, snow, ice, sunshine, water;
- Corrosive salt fog;
- Seismic basic intensity VII.

Order

| No. | Name | Order No. | Remark |
|-----|---------------------------|-----------|---|
| 1 | Cover Plate | 41802 | |
| 2 | “O” Seal Ring 259.3×5.7 | 41115 | |
| 3 | Metal Cable Gland M25×1.5 | CMA25-18 | |
| 6 | Metal Cable Gland M20×1.5 | 48401 | |
| | Flange 304-286-6 | 27686 | in place of cover plate, used for non-bearing |

TJB-12/15-BS

2

2