



中国民用航空局  
Civil Aviation Administration of China

民用机场专用设备  
**审定合格证**  
AIRPORT EQUIPMENT CERTIFICATE

证书编号/Certificate No.: LF11R005

有效期至/Expiration Date: 2019-01-17

根据《民用机场管理条例》(中华人民共和国国务院令 第 533 号)规定,下列产品通过合格性审定,可以在民用机场内使用:

This certificate is issued in accordance with the P.R.CHINA State Council Order No.533, *The Regulation on Airport Management*, and certifies that the following equipment has passed the qualification examination for use in airport:

滑行道中线灯  
**Taxiway Center Line Light**

型号/Model: TCLM-08

制造商/Manufacturer

上海航安机场设备有限公司  
Airsafe Airport Equipment Co., Ltd.

地址/Address

上海市嘉定区徐行镇安新路 38 号  
No.38 Anxin Road, Xuhang Town, Jiading District, Shanghai

设备外观&主要性能指标/ Basic Information



光源

Light Source

卤素灯 48W 或 LED 8W

Halogen Lamp or LED

额定光源寿命

Rated Lamp Life

卤素灯 1,500h@6.6A

LED 50,000h@6.6A

工作温度

Operating Temperature

-40°C-+55°C@6.6A

灯体材料

Lamp Body Material

铝合金铸造灯体和内盖

Cast Aluminum Alloy Body and Inner Cover

备注 Notes:

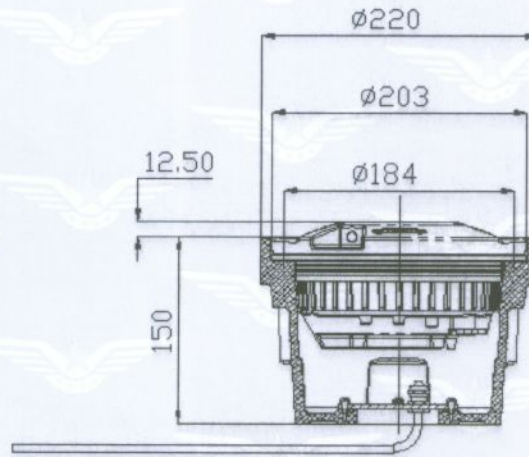
1. 设备详细外观及性能指标作为本证书的一部分打印于本证书背面  
Appearance and specifications of the equipment are printed overleaf as part of this certificate
2. 下列方框内的登记记录表示本证书所示内容发生了变更,变更具体内容打印于本证书背面  
Records sealed below on the blanks indicate revisions of this certificate with explanations printed overleaf

--	--	--	--	--

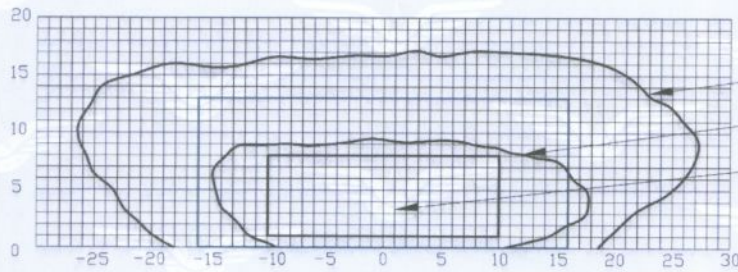
颁发日期:  
Issue Date:

2011-01-17



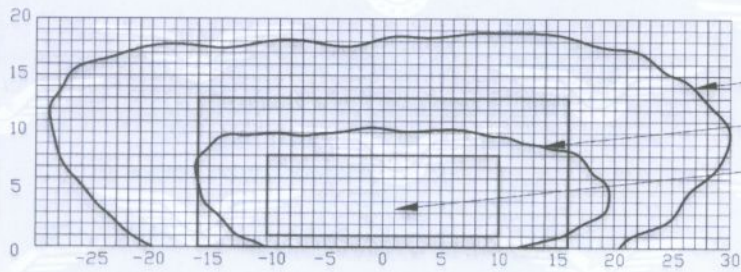


绿色/Green:



实际20cd等光强图  
Actual Isocandela Curve of 20cd  
实际100cd等光强图  
Actual Isocandela Curve of 100cd  
主光强要求平均200cd, 实际平均367cd.  
Min Average 200 cd Required, Average 367 cd actually

黄色/Yellow:



实际20cd等光强图  
Actual Isocandela Curve of 20cd  
实际100cd等光强图  
Actual Isocandela Curve of 100cd  
主光强要求平均200cd, 实际平均385cd.  
Min Average 200 cd Required, Average 385 cd actually